

The Botanic plant pots are designed for both outdoor and indoor use.

**OUTDOOR**

To ensure safe operation, a sufficient number of drainage openings or surfaces must be created in the ground in outdoor areas so that (rain) water can drain away and waterlogging cannot occur. The fibreglass floor can be machined with standard metal drills.

**INDOOR**

For indoor use, Revox offers a lacquered base plate made of water-resistant wood (RAL7016 anthracite). It has a practical speaker cable guide that allows the cable to be laid neatly and out of sight.

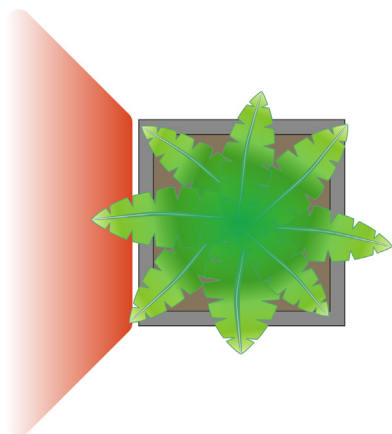
	Dimensions (cm)	Order no.
Botanic Floor Plate 70	67 x 67 x 18	108465720
Botanic Floor Plate 50	47 x 47 x 18	108465520

**VARIANTS**

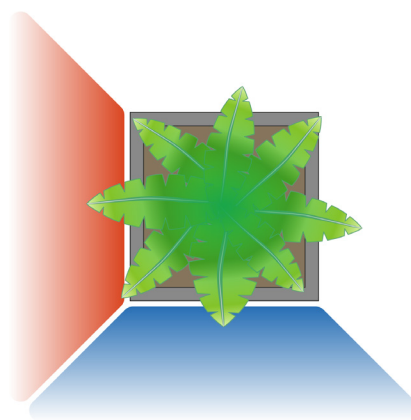
The Botanic is available in 4 different versions, which differ in size and active sound surface. The illustration below shows the 4 possible variants.

[c] = corner - corner sound reinforcement

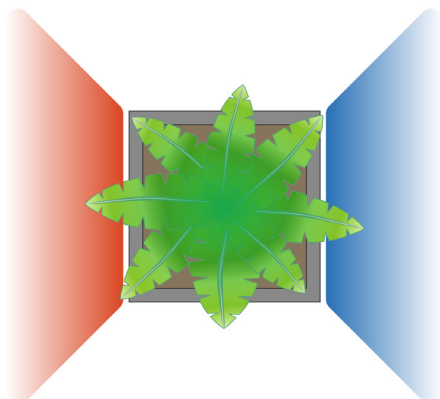
[o] = opposite - sound reinforcement opposite



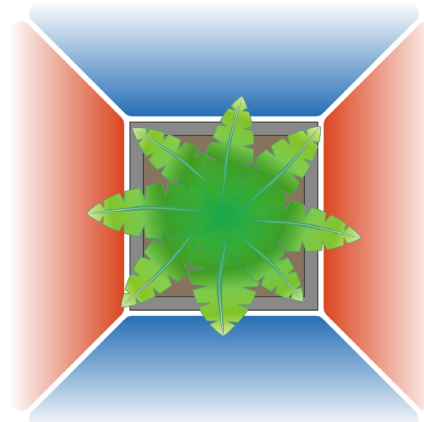
Botanic 50-1



Botanic 50-2c / Botanic 70-2c



Botanic 50-2o / Botanic 70-2o

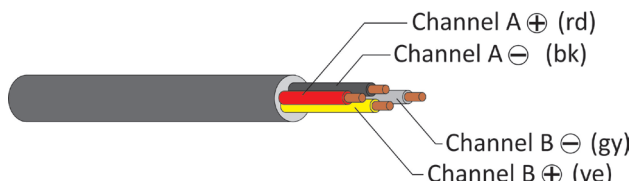


Botanic 70-4

WIRING DIAGRAM

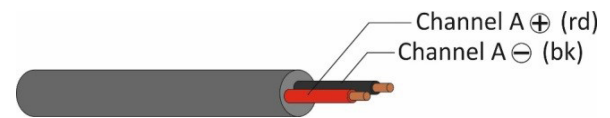
The 1, 2 or 4 INV HEX transducers are bundled internally in a watertight distribution box (IP66) for a stereo connection and routed to the outside via a single 4-core cable in the centre of the floor. In the Botanic 70-4, 2 INV HEX units are assembled to form an opposing unit. The Botanic 50-1 mono loudspeaker only has a 2-core connection cable.

**Assembly 2 pcs. /4 pcs. INV HEX (stereo)**  
(Botanic 50-2c / 70-2c / 50-2o / 70-2o / 70-4)



Cable length: approx. 2.5 m (from outlet)  
Cable clamps: WAGO 221 single terminal block (0.75 - 3.3 mm<sup>2</sup>)

**Assembly 1 pc. INV HEX**  
(Botanic 50-1)



DIMENSIONS

Botanic 50  
W x D x H 50 x 50 x 50 cm

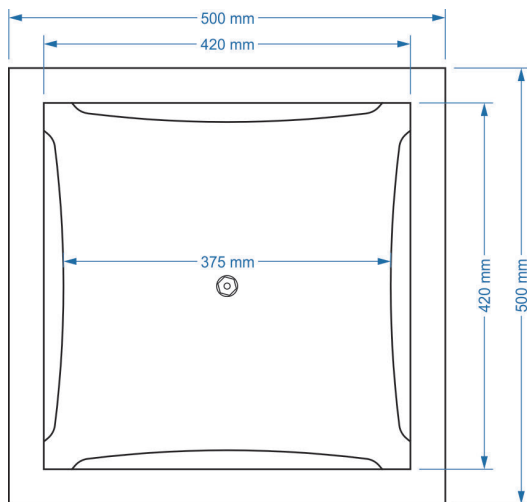


Fig. Botanic 50  
Interior view incl. dimensions

Botanic 70  
W x D x H 70 x 70 x 70 cm

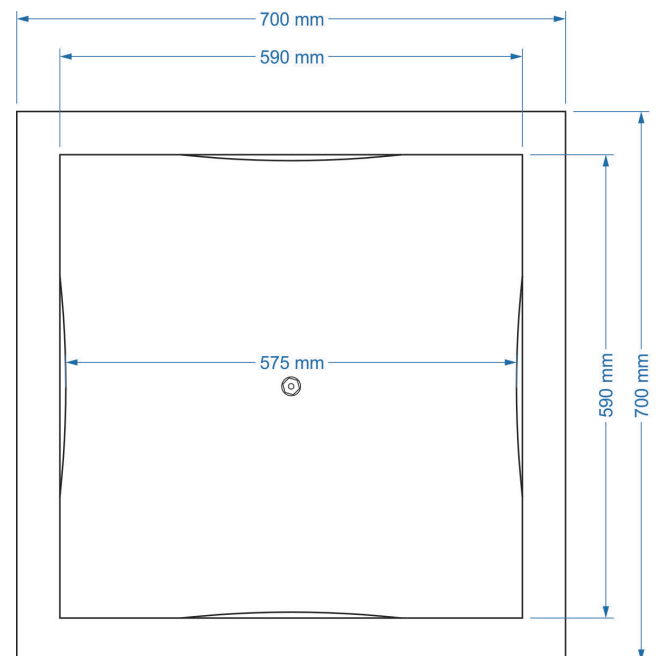


Fig. Botanic 70  
Interior view incl. dimensions