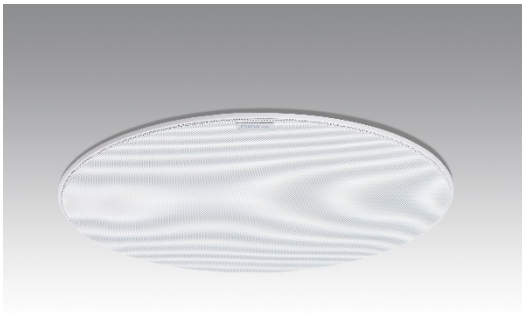


Revox speakers True studio sound quality

Revox Inceiling I82

Size is not an issue for the Revox Inceiling I82. Whether it is deployed in small or large rooms, in either case, it is ideally suited to produce a discrete but high quality sound. Full bass, high load capacity and an increased efficiency factor are amongst its strengths. And thanks to the optional fitted housing, its sound characteristics can be further optimised. Giving you music enjoyment without needing to make compromises.



Revox Inceiling I82 without grill



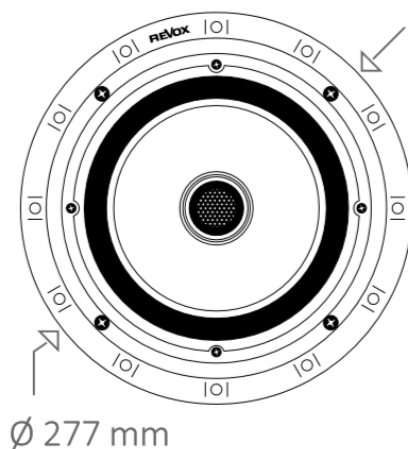
Revox Inceiling I82



Revox Inceiling I82 without grill

Technical data:

Revox Inceiling I82



2 way speaker system

Outer diameter	277 mm
Cutout diameter	238 mm
Installation depth	95 mm
Weight	2,1 kg
Power rating	80 Watt
Music power handling capacity	110 Watt
Impedance	6 Ohm
Frequency response	32 Hz – 20 kHz* / 48 Hz – 20 kHz**
Efficiency (2.83 V/1 m)	90 dB
Woofer / Midrange	205 mm polypropylene
Tweeter	25 mm aluminium dome

*within ceiling / **with Revox cabinet