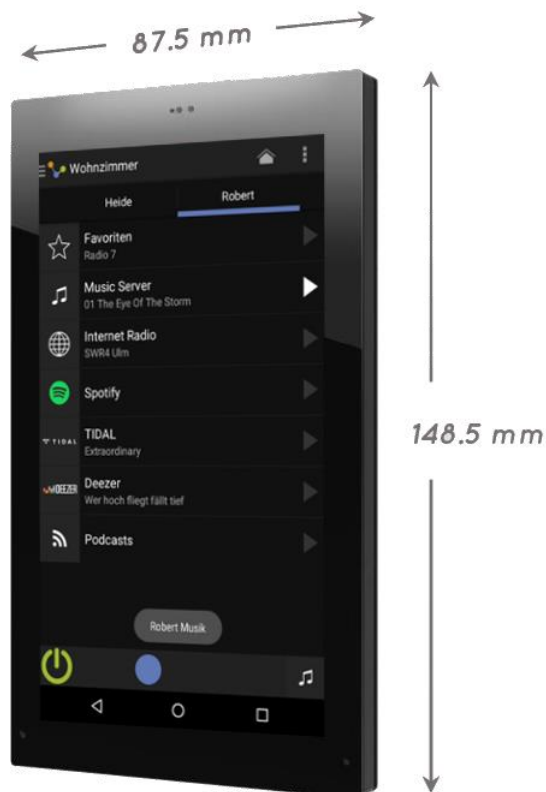


## Revox Control V255 II Android Display

A separate touchscreen interface offers an indispensable control option for your house control. From security to lighting technology, a modern and flexible display is necessary to ensure intuitive and inviting control for your customers.



The new Revox Control Display V255 II can be used as a dedicated in-wall control for Revox Multiuser / Multiroom solutions. The Re-vox Control Display has a locked system architecture for end users so that the panel is automatically started with the Revox Multiuser App.

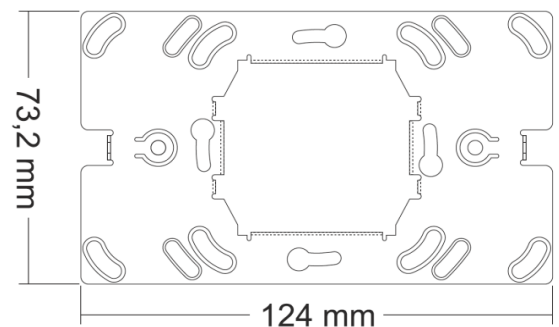
In the open Android version, you can install all available Android applications to control your multiroom audio system, lighting or use your favorite applications.

The V255 II is based on industrial components:

- Bright 450nits, 5.5 "FHD (1920 x 1080) IPS display
- proximity sensor
- Brightness sensor
- WiFi 802.11 b / g / n / ac, BT 4.2
- PoE 802.3af

The new display is delivered with a special Revox Mounting plate for single and double flush-mounted installation jar that is compatible with all EU country standards.

The V255 display is suitable for the aftermarket as a replacement for M217 / M218 control panels. For this replacement, you can use WLAN version without a network cable.



## SPECIFICATIONS

### CPU

- NXP iMX8, Quad-core 64bit ARM A53 @1,8 GHz prozessor

### STORAGE

- 16GB flash storage

### DISPLAY

- high performance display, FHD, IPS 5.5 "LCD, 1920 x 1080 resolution
- 450 nits brightness
- capacitive touch surface with multi-touch and gesture support

### PROXIMITY & LIGHT SENSOR

- additional "time-of-flight" proximity sensor adjustable
- ambient light sensor

### NETWORK

- gigabit network controller
- dual band 2.4GHz & 5.0GHz Wi-Fi 802.11 b / g / n / ac

### OPERATING SYSTEM

- Android 9.0

### COLOURS

- black or white frame

### VERSIONS

- Revox Control A255 II Android Display WLAN white
- Revox Control A255 II Android Display WLAN black

