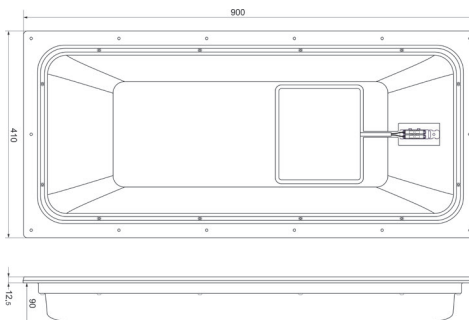


Revox Invisible Speaker

TECHNICAL DATA SHEET

INV UNIT

Panel loudspeakers installed invisibly under plaster, paint or wallpaper. Flat radiation characteristics. Full-range speaker with special polymer membrane equipped with high-performance subwoofer and exciter. Especially for invisible integration in drywall, solid construction, walls and ceilings.



TECHNICAL DATA

	INV UNIT
Order Number	1.084.696.30
Dimensions L x W x D (mm)	900 x 410 x 102,5
Min. installation depth (mm)	90
Weight (kg)	8,5
Capacity (Watt)	max. 120 W RMS
Impedance (Ohm)	4
Sensitivity	82 dB/1W/1m
Frequency range	37 Hz - 23 kHz
Suitable for outdoors	X

EQUIPMENT

	INV UNIT
Installation frame available	✓
Sprue housing available	X
1K PU special adhesive	✓

Note: Coatings influence the efficiency. The installation instructions are to be taken into account for standard installations. Special fixtures after consultation with the sales consultant.