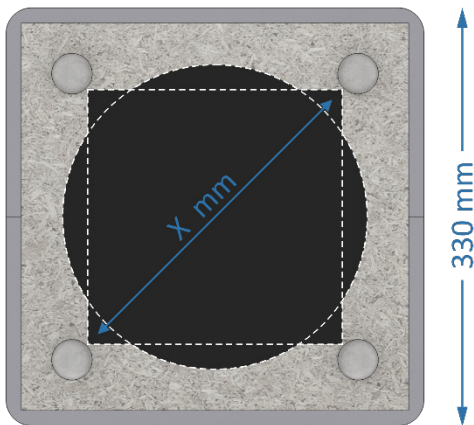
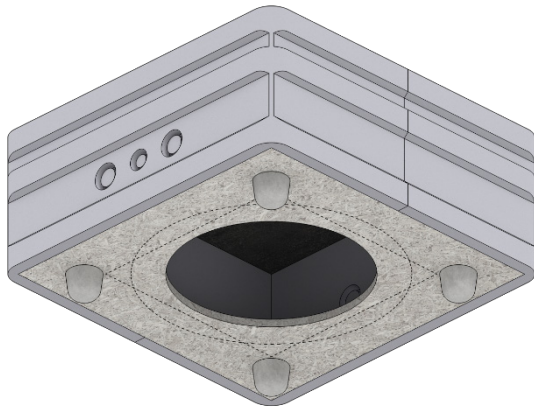
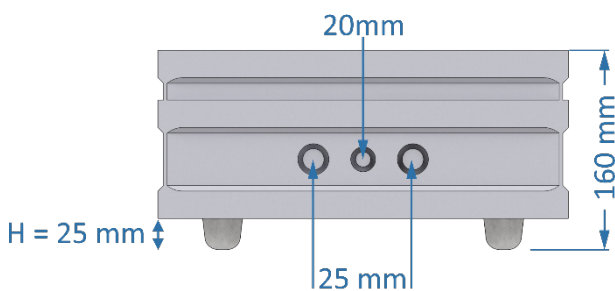


Euroboxx M for Inwall I52 and Inceiling I52



330 mm

330 mm

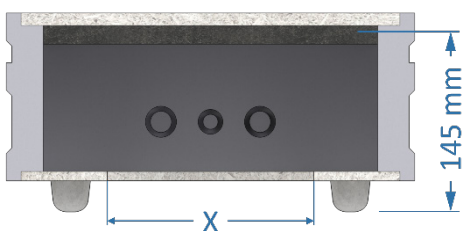


H = 25 mm

20mm

160 mm

25 mm



145 mm

X

Description

Euroboxx cast-in housing for Inwall I52 and Inceiling I52. Recessed ceiling box consisting of EPS base body with glued-in OSB rear wall cover and OSB front with cut-out for installation in concrete ceilings.

Features and benefits

- lateral break-out points for 20 mm + 25 mm electric conduits
- low weight and high stability with excellent vibration damping
- better audio reproduction than enclosures made of wood, sheet metal or plastic
- better airborne and structure-borne sound insulation than conventional built-in enclosures
- 4 concrete feet, 25 mm height
- interior insulation: foam insulation mat 10 mm
- also suitable for exposed concrete ceilings

Scope of delivery (per piece)

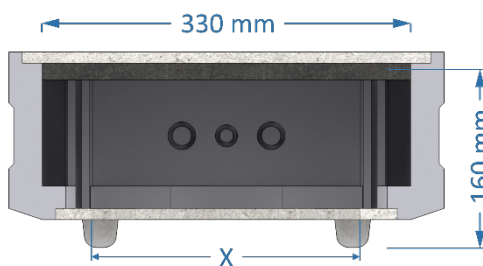
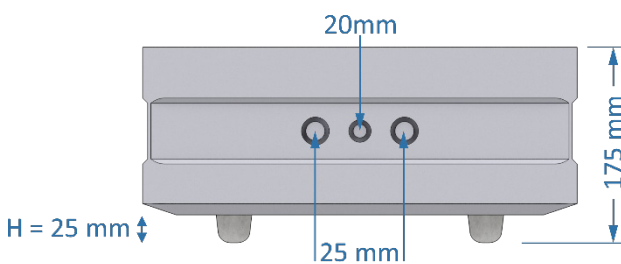
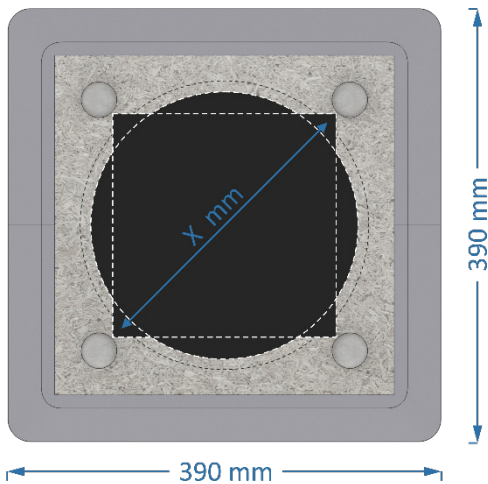
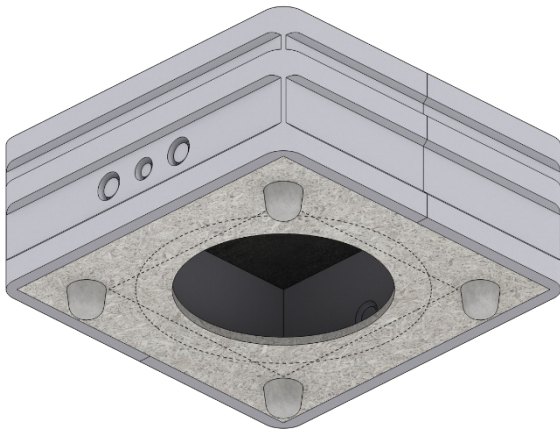
- 1 Euroboxx M made of EPS grey, 50 kg/m³ with glued-in OSB lid (squared)
- 1 concreting ring made of EPS/PE white 30 kg/m³, 50 mm height
- 3 steel nails 3.5 × 65 mm
- 4 aluminium nails 3.0 × 25 mm
- 2 × perforated tape
- 4 × cable ties

Order numbers

| | | |
|------------|--------------|---------------|
| Euroboxx M | 1 791 440 00 | Inceiling I52 |
| Euroboxx M | 1 791 450 00 | Inwall I52 |

| | |
|-----------------------|--|
| Type | Euroboxx M |
| Dimensions | 330 × 330 × 160 mm (L × W × H) |
| Installation depth | 145 mm |
| Cut-out dimension X | ○ circular: 167 mm □ square: 150 × 150 mm |
| Internal volume | 8,50 l |
| Fire protection class | B1 |

Euroboxx L for Inwall I82 and Inceiling I82



Description

Euroboxx cast-in housing for Inwall I82 and Inceiling I82. Recessed ceiling box consisting of EPS base body with glued-in OSB rear wall cover and OSB front with cut-out for installation in concrete ceilings.

Features und Vorzüge

- lateral break-out points for 20 mm + 25 mm electric conduits
- low weight and high stability with excellent vibration damping
- better audio reproduction than enclosures made of wood, sheet metal or plastic
- better airborne and structure-borne sound insulation than conventional built-in enclosures
- 4 concrete feet, 25 mm height
- Interior insulation: foam insulation mat 10 mm
- also suitable for exposed concrete ceilings

Scope of delivery (per piece)

- 1 Euroboxx M made of EPS grey, 50 kg/m³ with glued-in OSB lid (squared)
- 1 concreting ring made of EPS/PE white 30 kg/m³, 50 mm height
- 3 steel nails 3.5 × 65 mm
- 4 aluminium nails 3.0 × 25 mm
- 2 × perforated tape
- 4 × cable ties

Order numbers

| | | |
|------------|--------------|---------------|
| Euroboxx L | 1 791 441 01 | Inceiling I82 |
| Euroboxx L | 1 791 451 00 | Inwall I82 |

| | |
|-----------------------|--|
| Type | Euroboxx L |
| Dimensions | 390 × 390 × 175 mm (L × W × H) |
| Installation depth | 175 mm |
| Cut-out dimension X | ○ circular: 240 mm □ square: 224 × 224 mm |
| Internal volume | 13,50 l |
| Fire protection class | B1 |