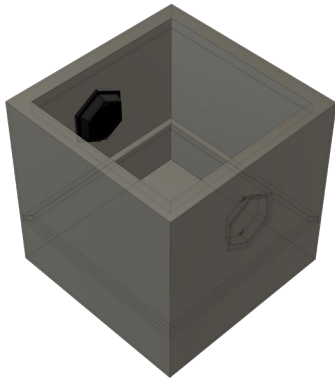


Botanic 70

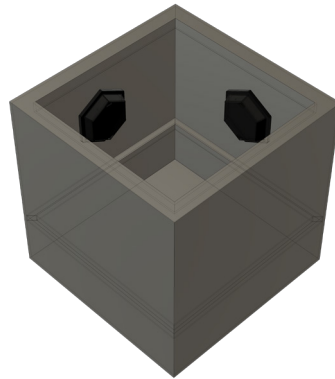
For an elegant, surprising and very sonorous musical experience - indoors and outdoors.
A sounding plant pot. Easy to use and connect. For indoor use, e.g. in the living room or entrance area, and outdoor use, e.g. on the terrace or by the pool. Thanks to powerful and invisibly placed INVISIBLE speakers from Revox, the sides of the plant pot are used for impressive sound reproduction.

Special covers on all 4 sides of the Botanic protect the speaker(s) and enhance the sound reproduction.
Thanks to this protected installation of the speakers, the Botanic is weatherproof and can also be used flexibly outdoors.

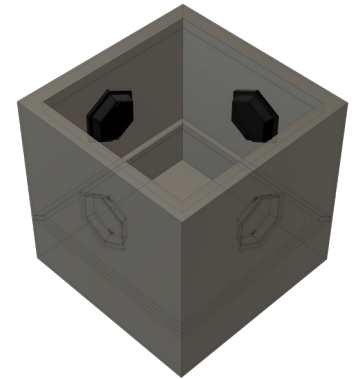
OVERVIEW VARIANTS



Botanic 70-2o
Plant pot (70x70x70cm) with two INV HEX loudspeakers opposite each other (opposite).



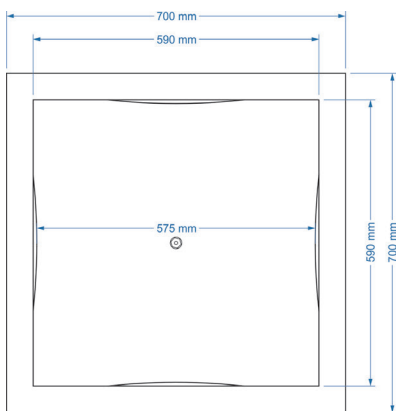
Botanic 70-2c
Plant pot (70x70x70cm) with two INV HEX corner speakers.



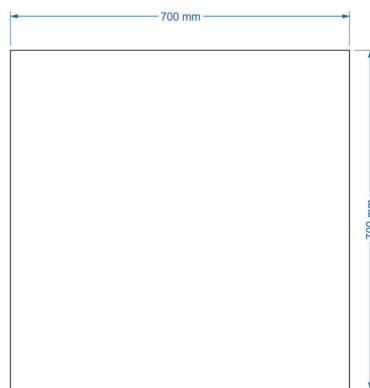
Botanic 70-4
Plant pot (70x70x70cm) with four INV HEX speakers, one on all sides.

TECHNICAL DATA

	Botanic 70-2o	Botanic 70-2c	Botanic 70-4
Order no.	108465702	108465712	108465704
Dimensions W x D x H (cm)	70 x 70 x 70		
Material	Fiberglass, UV and frost resistant		
Color	anthracite		
Number of INV HEX	2	2	4
Arrangement of INV HEX	opposite sides	sides across corner	all four sides
Impedance	2 x 8 Ohm	2 x 8 Ohm	2 x 4 Ohm
Performance	2 x 60 Watt	2 x 60 Watt	4 x 60 Watt



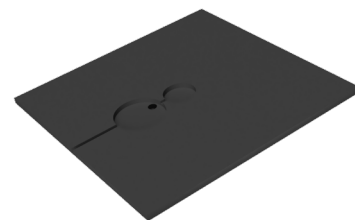
Botanic 70
Interior view incl. dimensions



Botanic 70
Exterior view incl. dimensions

ACCESSORIES

	Botanic Floor Plate 70
Dimensions (cm)	67 x 67 x 18
Order no.	108465720



Base plate made of water-resistant and lacquered wood for indoor or protected outdoor use.